




SWEDISH HYDRONIC SOLUTIONS SINCE 1906 



UPTT500 “Tango”

SWEDISH HYDRONIC SOLUTIONS SINCE 1906 

UPTT - Tango, the multiple solution



SWEDISH HYDRONIC SOLUTIONS SINCE 1906 

Tango - Assortment

UPTT500:

Art. No.

31420200 _____ ESBE UPTT522 45-65°C 25-6,1 G1 ¼

31420300 _____ ESBE UPTT522 50-75°C 25-6,1 G1 ¼

Spare parts (standard VTA500 spare parts):

Art. No.

37100200 _____ ESBE VTA952 EXCHANGE KIT 45-65°C

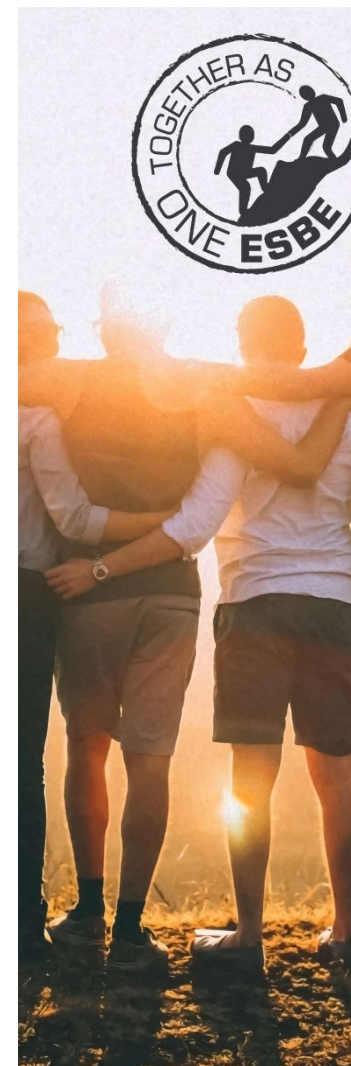
37100300 _____ ESBE VTA952 EXCHANGE KIT 50-75°C

Accessories (connection kits with check valves)

Art. No.

36552300 _____ ESBE KTD212 CONNECTION KIT G1 1/4-R1

36552500 _____ ESBE KTD312 CONNECTION KIT G1 1/4-R1



SWEDISH HYDRONIC SOLUTIONS SINCE 1906 

UPTT522 – Product description

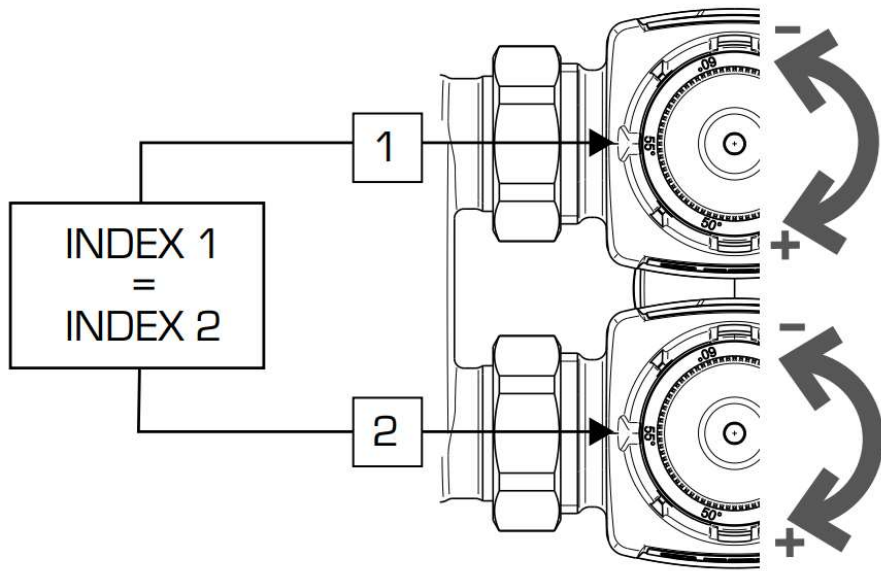


- ✓ Competitive kit for large properties
- ✓ G 1 ¼ " male thread
- ✓ Available in 45-65°C and 50-75°C
- ✓ KVs 6,1 m³/h
- ✓ DHW approved materials
- ✓ Serial delivery end of Q2 2024
- ✓ Insulation not available initially, will be created depending on demand



SWEDISH HYDRONIC SOLUTIONS SINCE 1906 

UPTT522 – Product description

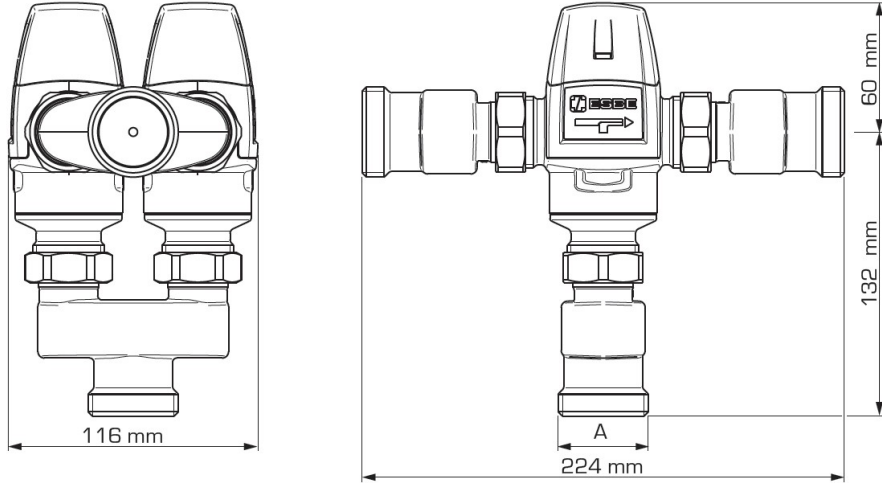


- ✓ Functionality and service same as for VTA500.
- ✓ When setting the temperature – important that both valves are set to the same index for optimal function.
- ✓ Always measure the temperature after adjusting.



SWEDISH HYDRONIC SOLUTIONS SINCE 1906 

UPTT522 – Product description

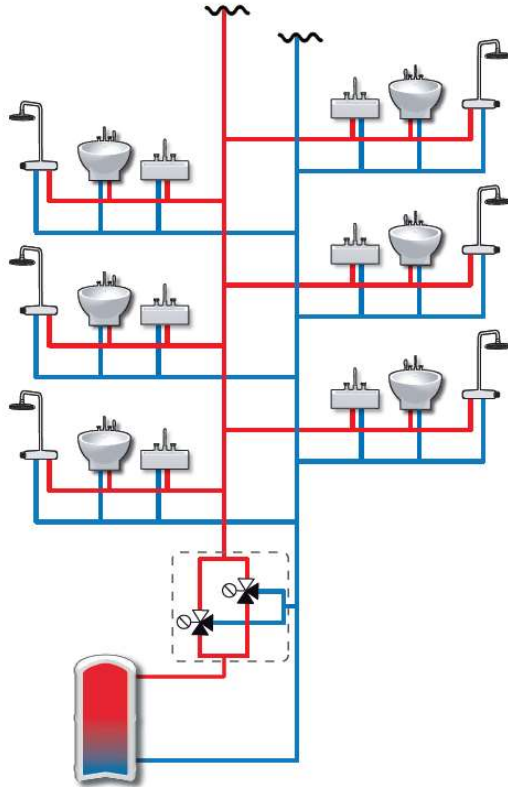


- ✓ Dimensions of the UPTT522
- ✓ Weight; 2,8 kg



SWEDISH HYDRONIC SOLUTIONS SINCE 1906 

UPTT522 – application examples



- ✓ Suitable for systems with up to 20 apartments
- ✓ Flows up to 1 l/sec
- ✓ Always measure the temperature at the tap station after installing/adjusting.



SWEDISH HYDRONIC SOLUTIONS SINCE 1906 



SWEDISH HYDRONIC SOLUTIONS SINCE 1906 